



W1C30

Industry Standards

UL 508, Types 12 & 13
CSA Certified, Type 12 & 13
NEMA/EEMAC Types 12 & 13

 UL Files E64791

 CSA File LL66078

FEATURES-SPECIFICATIONS

Applications

Designed to house electrical and electronic controls and instruments. Pushbuttons, pilot lights, meters, switches etc., can be mounted on sloping control surfaces. Interior components can be mounted on standard back panel. Heavy duty construction provides protection from dirt, dust, oil and water.

Construction

- Bodies and doors fabricated from 14 gauge steel
- Seams are continuously welded and ground smooth without knockouts, holes, or cutouts

- 3-point keylocking handle is provided on front, main door
- Main door on console is raised
- Control panels are hinged along bottom edge
- Controls panels, access panels and instrument panels have captivated screws which thread into sealed wells
- Door stops provided to hold control panel open
- Print pocket is provided
- Grounding provisions provided
- Closed cell neoprene gasket
- Removable back panel included with enclosure

Writing Desk

- Fabricated from 14 gauge steel
- Seams are continuously welded and ground smooth
- Desks are removable and attach easily to console front
- Desks must be ordered separately

Finish

- ANSI 61 gray polyester powder inside and out over phosphatized surfaces
- Included back panel is white polyester powder over phosphatized surfaces

Accessories

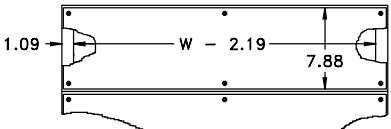
- See pages J1-J19

| W1C SERIES OPERATOR INTERFACE CONSOLES | | |
|--|--------------------------------------|---------------------------|
| CATALOG NUMBER | ENCLOSURE SIZE H X W X D | BACK PANEL SIZE H X W* |
| W1C24 | 40.00x24.00x20.00 (1016x610x508) | 30.00x21.00 (762x533) |
| W1C30 | 40.00x30.00x20.00 (1016x762x508) | 30.00x27.00 (762x686) |
| W1C36 | 40.00x36.00x20.00 (1016x914x508) | 30.00x33.00 (762x838) |
| W1C42** | 40.00x42.00x20.00 (1016x1067x508) | 30.00x39.00 (762x991) |
| W1C48** | 40.00x48.00x20.00 (1016x1219x508) | 30.00x45.00 (762x1143) |

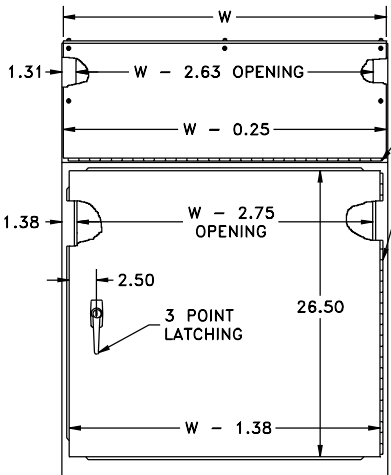
* Back panel included with enclosure.

** Two Door Units

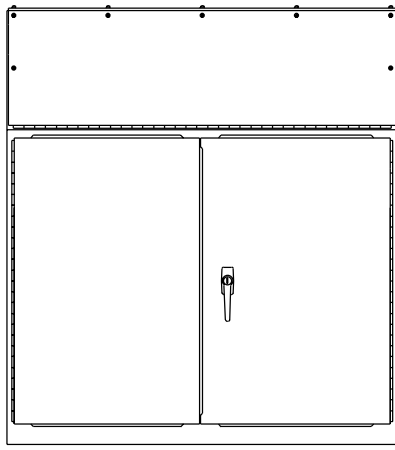
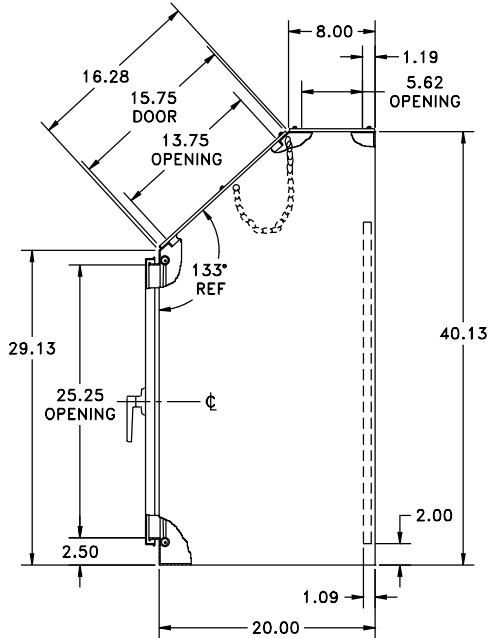




Top View
(Upper Instrument Panel)



CONT.
HINGE



View Showing
Two Door Console

- Notes:
1. One 8X10 Print Pocket is provided.
 2. 3-point key-locking handles are provided on main doors.
 3. Rear panel included.